

# Pneumatic Ball Vibrators

## Side Air Inlet & Exhaust



**V-190**



**V-250**



**V-320**



**V-380**

- **SIMPLE**
- **REMOVABLE RACE FOR EASY MAINTENANCE**
- **HIGH TEMPERATURE OPERATION**

### HOW IT WORKS

Compressed air drives a highly chrome finished and hardened steel ball at a high speed around a hardened and highly ground and polished ball race creating high frequency vibration.

Vibco ball vibrators can be mounted in any position. They fit all competitive models. Just remove the worn out competitive model and put on a long lasting **ALL AMERICAN MADE** Vibco unit that will assure you of uniformity, high quality and long life.

O-rings in end covers are eliminated to allow each unit to be used up to 350° F without O-ring melt down that occurs if used over 200°F.

The NEW Vibco side Inlet & exhaust ball vibrator line, is the **LOWEST COST BALL VIBRATOR** line available.

There are four different connections you can make to the air exhaust port:

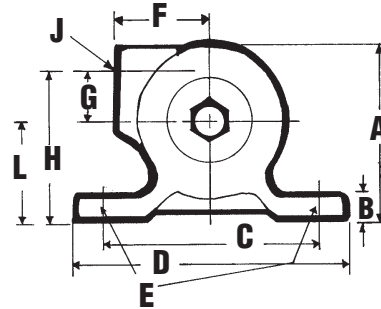
- 1.** A standard muffler to silence the exhausting air noise and the sound created by the ball rolling around in the ball case.
- 2.** A muffler with an adjustable screw to set the air pressure and speed of the ball to a predetermined value no matter how high the air inlet pressure.
- 3.** In areas where the exhausting air can cause contamination, an air hose can be connected to the outlet port and the exhausting air lead away from the area.
- 4.** Two units can run off the same air line. Connect an air hose from the exhaust port on one unit to the inlet on the second unit. This unit is called a slave unit and will produce approximately half the force and speed of the first one.

## TECHNICAL DATA

Model	Weight		20 PSI		40 PSI		60 PSI			dB*VPM	Max.Lbs.** Material in Bin
	lbs.	kg.	Speed VFM	CFM	Speed VPM	CFM	Speed VPM	CFM	Force Lbs. N		
V-100	8 oz.	.227	20000	4	24000	6	—	—	55 245	75/20000	550
V-130	11 oz.	.312	15000	5	19000	7.5	—	—	80 356	72/15000	800
V-190	26 oz.	.737	12000	6	14000	10	16000	11	260 1157	73/16000	2600
V-250	2.6	1.3	9200	8	10500	11	11000	13	380 1691	72/11000	3800
V-320	4.6	2.1	7500	12	8900	14	10000	17	650 2892	78/10000	6500
V-380	6.2	2.8	5500	10	6200	15	6500	20	600 2669	78/6500	6000

Data obtained on laboratory test block. Frequency and force will decrease on less rigid mount. Data subject to design changes.

\*Decibel from A-scale at 1 meter. \*\*Rule of thumb for sizing "One lb. Vibrator Force" for each "10 lbs. of Bin Content" at 80 PSI.



## DIMENSIONS

Model	A		B		C		D		E**		F		G		H		J*		K		L		M	
	inch/mm	inch/mm	inch/mm	inch/mm	inch/mm	inch/mm	inch/mm	inch/mm	inch/mm	inch/mm	inch/mm	inch/mm	inch/mm	inch/mm	inch/mm	inch/mm	inch/mm	inch/mm	inch/mm	inch/mm	inch/mm	inch/mm	inch/mm	inch/mm
V-100	2	51	5/16	8	3	76	3/8	98	1/4	6	1 5/16	33	5/8	16	1 11/16	43	1/8 - NPT	1 11/16	43	1	25	3/4	19	
V-130	2 5/16	59	5/16	8	4	102	4/8	124	1/8	10	1 1/2	38	3/4	19	1 15/16	49	1/8 - NPT	1 15/16	49	1 1/4	32	1 5/16	24	
V-190	3	76	9/16	14	4	102	5/16	129	3/8	10	1 7/8	48	7/8	22	2 1/2	64	1/4 - NPT	2 3/8	60	1 5/8	41	1 15/16	33	
V-250	3 1/2	89	9/16	14	4	102	5 9/16	141	1/2	12	2 1/4	57	1 1/8	29	2 15/16	87	1/4 - NPT	2 3/4	70	1 7/8	48	1 1/2	38	
V-320	4 3/4	120	3/4	19	4	102	5 9/16	141	1/2	12	2 1/4	57	1 1/8	29	4 1/8	105	3/8 - NPT	2 3/4	70	2 3/4	70	1 1/2	38	
V-380	4 7/8	124	1	25	5 1/2 x 1 1/4	140 x 32	6 5/8	168	3/8	10	2 7/8	73	1 1/2	38	4	102	3/8 - NPT	3 7/16	87	2 5/8	60	2 7/8	54	

\*NPT Pipe Tap Size \*\*Bolt Size

## TO REDUCE AIR CONSUMPTION & LOWER NOISE TRY OUR **SILENT** TURBINE VIBRATORS

### A TURBINE VIBRATOR:

- Saves up to 50% of your air consumption
- Reduces vibration noise below OSHA limits
- Gives 3 times longer life than a ball vibrator
- Requires no lubrication – pre-lubricated for life
- **COMPLETELY SIZE INTERCHANGEABLE** with ball vibrators

## CONVINCE YOURSELF - ASK FOR A FREE TRIAL



## ASK FOR OUR NEW PNEUMATIC TURBINE VIBRATOR BROCHURE

We're The **SILENT** Vibrator Guys.® **VIBCO, INC.**



75 Stilson Road, P.O. Box 8  
Wyoming, RI 02898  
E-Mail: [vibrators@vibco.com](mailto:vibrators@vibco.com)  
Phone: (401) 539-2392 / (800) 633-0032  
FAX: (401) 539-2584  
<http://www.VIBCO.com>

**West Coast:**  
Phoenix, Arizona 85254  
Phone: (480) 596-1809  
(800) 633-0032  
FAX: (480) 596-1614

**Canada:**  
2215 Dunwin Drive  
Mississauga, Ont.L5L 1X1  
Phone: (905) 828-4191  
(800) 465-9709  
FAX: (905) 828-5015

SEE US AT [www.VIBCO.com](http://www.VIBCO.com)

CATALOG #9703B  
©2001 VIBCO, INC.